

# MOD. MINI-OIL

DESCRIZIONE DESCRIPTION	COD.	DESCRIZIONE DESCRIPTION	COD.
1 Ghiera-Ferrule Mini-Oil	B-GHI0007	12 Vite reg. liquido - Liq. setting screw	B-VIT0114
2 Jet Mini-Oil	B-XJE0713	13 Vite Fondello - End cap screw (M4x20)	B-VIT0028
3 Portajet Mini-Oil	B-XPJ0005	14 Controdado vite reg.-Setting screw locknut	B-CND0001
4 O-Ring 15,60x1,78 (2062)	B-OR0007	15 Fondello - End Cap	B-XFS0050
5 Corpo - Body (non disponibile-not available)	B-SA5400	16 Molla - Spring 1x3,5x27,5	B-MOL0011
6 O-Ring 7x1	B-OR0059	17 Riduzione Reducer (M7x0,75)	B-RID0014
7 Pistone - Piston Mini-Oil	B-PIS0012	18 O-Ring 2007 (1,78x1,78)	B-OR0030
8 O-Ring 14x2	B-OR0035	19 Staffa - Clamp	B-STA0002
9 Spillo Conico - Jet Needle	B-SPI0001	20 Vite - Screw (M3x6) (x2)	B-VIT0115
10 Molla - Spring (0,45x3x19,5)	B-MOL0010	21 O-Ring 5x1	B-OR
11 Tappo Pistone - Piston Plug	B-TAP0020		

INLET AIR-LIQ.-PIL.= Ø M5

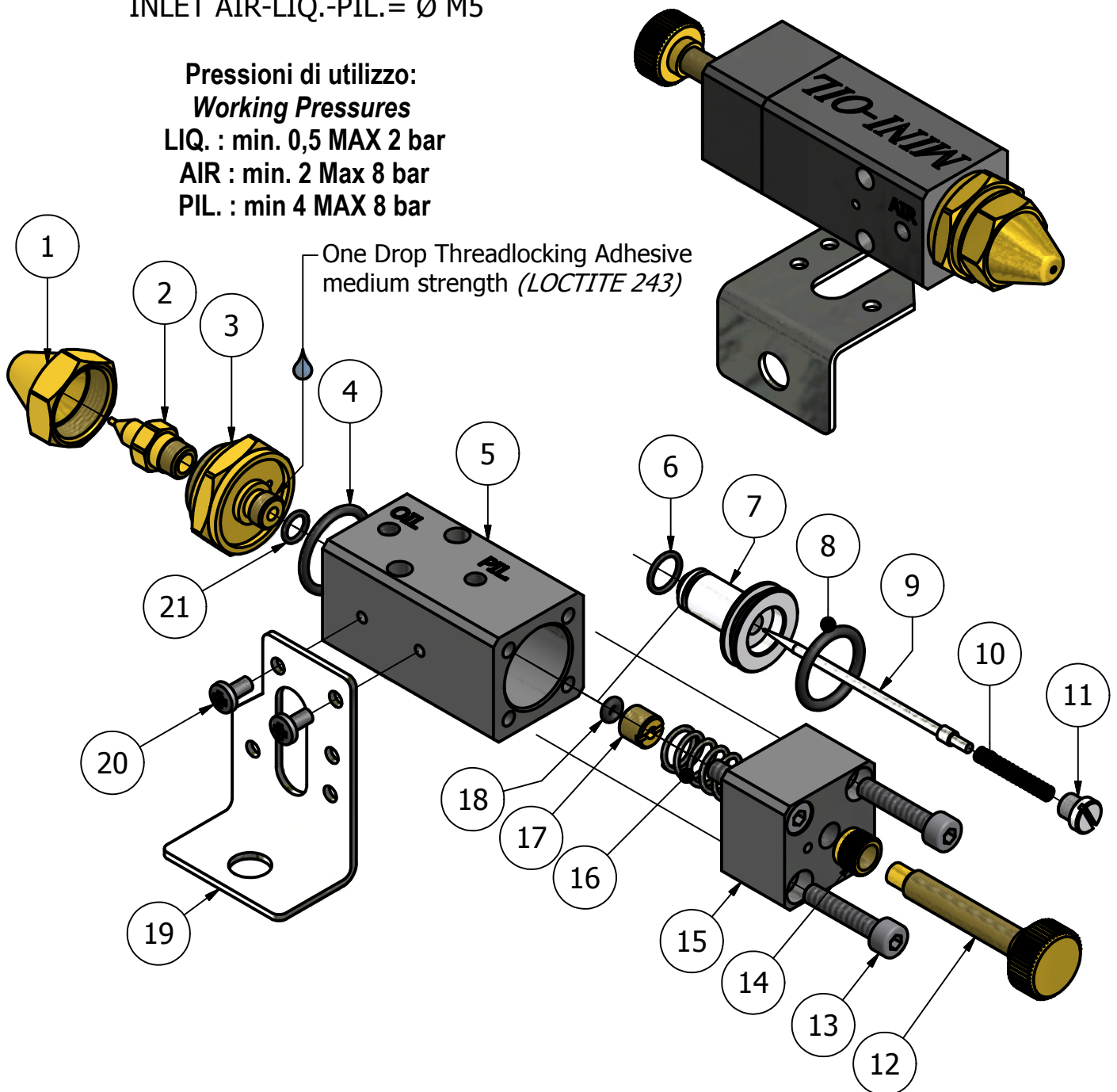
**Pressioni di utilizzo:**

**Working Pressures**

**LIQ. : min. 0,5 MAX 2 bar**

**AIR : min. 2 Max 8 bar**

**PIL. : min 4 MAX 8 bar**



www.balossi.it - info@balossi.it