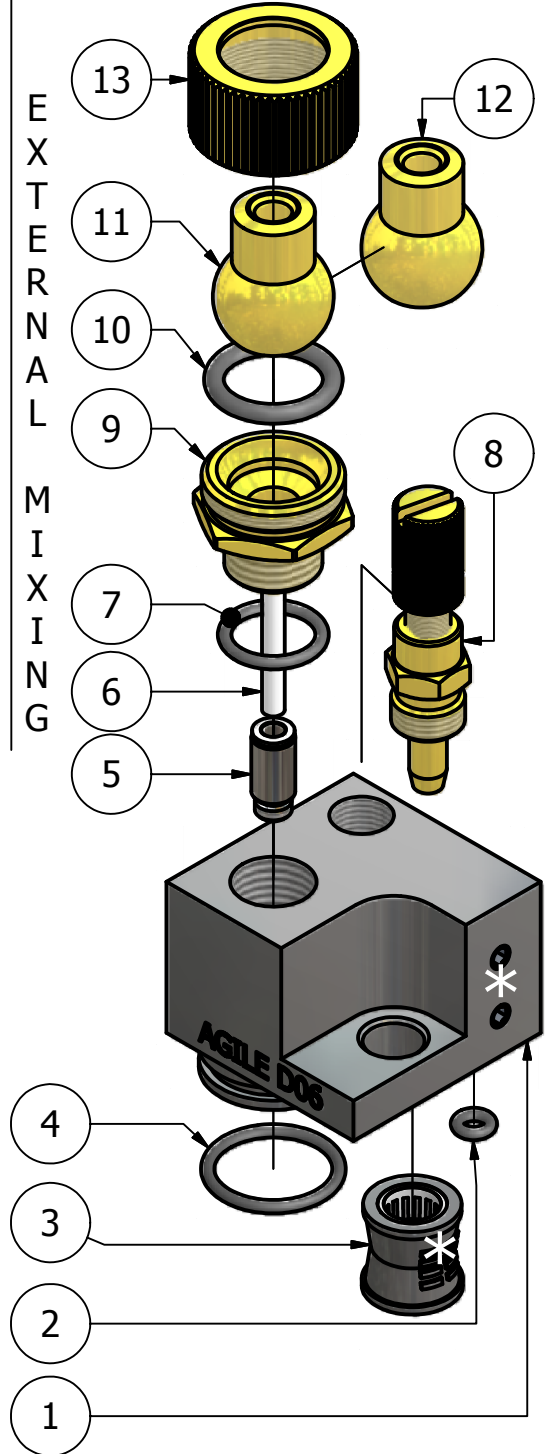


# MOD. AGILE D06

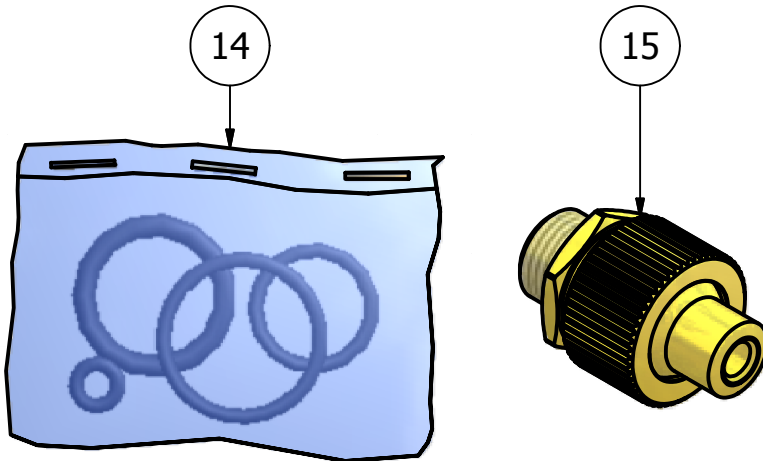
DESCRIZIONE-DESCRIPTION	COD.
1 Corpo - Body	B-SA4400-GR
2 O-Ring 2,57x1,78 (2010)	B-OR0012
3 Valvola a Membrana-Membrane Valve D06	B-VAL0010
4 O-Ring 15,6x1,78 (2062)	B-OR0007
5 Camozzi 6512 3-M5	B-RAC0024
6 Rilsan Ø 3	B-TUB0014
7 O-Ring 11,11x1,78 (114)	B-OR0017
8 Vite reg. liq. - Liq. setting screw	B-XVR0008
9 porta Jet 1/4 (Niplo) - Nozzle soached 1/4	B-XPJ0002
10 O-Ring 13,1x2,62 (117)	B-OR0002
11 Jet MX3 - 1,5 External Mixing (Standard)	B-XJE0401
12 Jet MX3 - 0,8 External Mixing (On request)	B-XJE0403
13 Ghiera porta Jet - Jet cap nut	B-GHI0002
14 Kit O-Rings (2+4+5+7+10)	B-XKI0029
15 Testina completa-Complete head	B-XTC.....

(7 & 10 inclusi - included)

→ **EXT. MIX (JET MX3)**  
**Pressioni-Pressures**  
**AIR LIQ. independent setting**  
**Liq. 0,5 - 1 bar**  
**AIR 4-8 Bar**  
**PIL. = LIQ.+0,5**



www.balossi.it - info@balossi.it



## INTERNAL MIXING

**Esempi Pressioni di utilizzo:**  
**Working Pressures examples:**  
 Liq. 4 bar - Air 5 bar  
 Liq. 5 bar - Air 6 bar  
 Liq. 6 bar - Air 7 bar  
 Liq. 7 bar - Air 8 bar  
 PIL. = LIQ.+0,5

\* Protuberanze orientate sotto il foro di pilotaggio  
 Diaphragm knobs must be under the pilot hole

## J E T S I N T E R N A L M I X I N G



"P" 12/30°



"P" 12/60°



"P" 12-60/90°



"V" 1



"M" 4



"M" 2,5

COD. : B-XJE0301    B-XJE0302    B-XJE0303    B-XJE0201    B-XJE0103    B-XJE0101