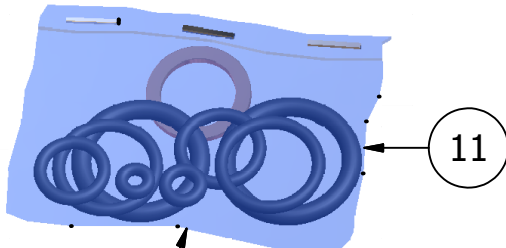


# MOD. STB

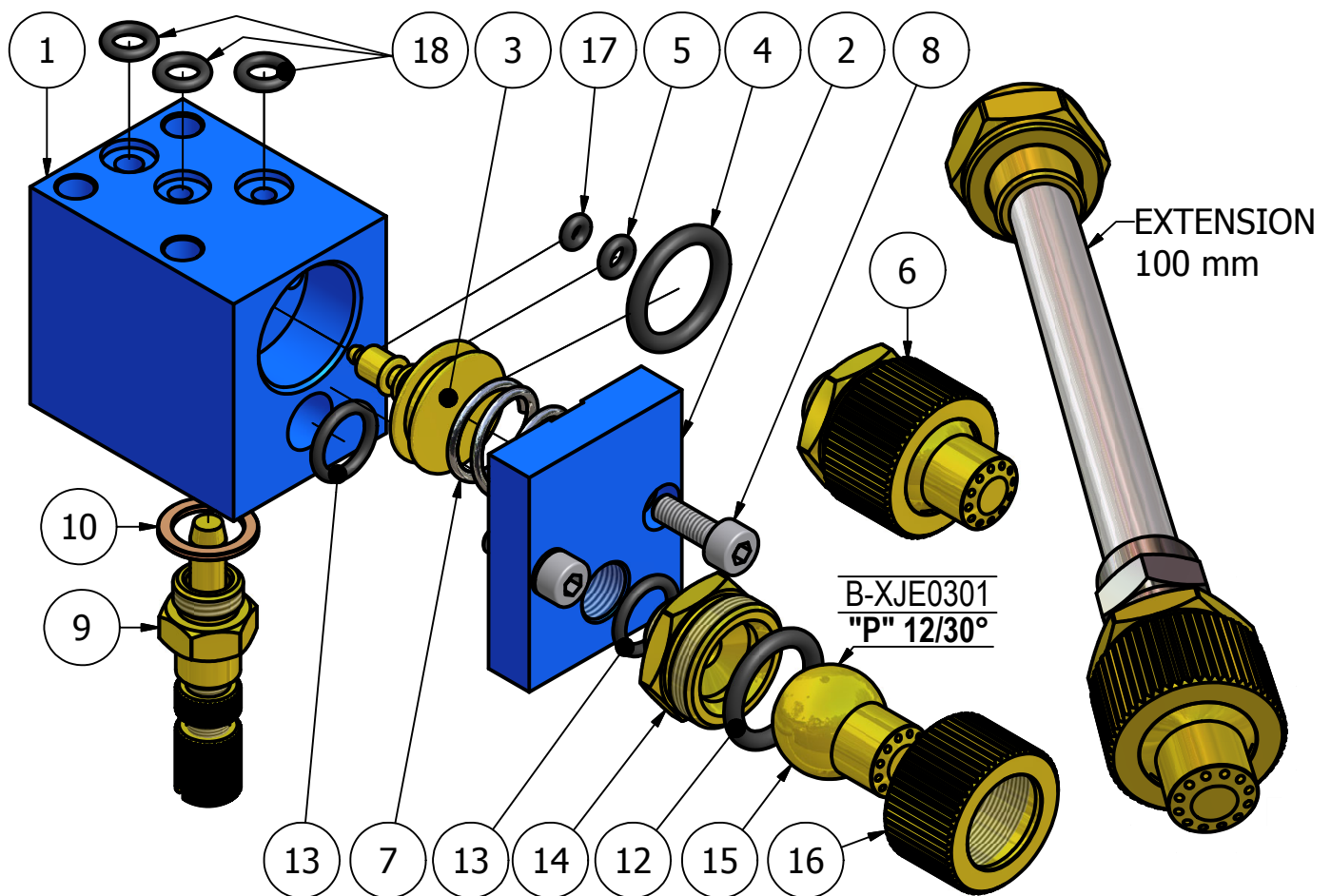
## ESEMPI PRESSIONI D'ESERCIZIO WORKING PRESSURES EXAMPLES

Liq. 4 bar - Air 5 bar  
Liq. 5 bar - Air 6 bar  
Liq. 6 bar - Air 7 bar  
Liq. 7 bar - Air 8 bar  
(Pil.4-8 bar)



Sostituire ogni 3 -6 mesi  
Replace every 3-6 month

DESCRIZIONE DESCRIPTION	COD.
1 Corpo - Body	B-SA1600-GR
2 Fondello - End cap	B-XFS0007
3 Pistone - Piston (4-5-inclusi-enclued)	B-XPI0001
4 O-Ring 13,95x2,62 (3056)	B-OR0009
5 O-Ring 2,9x1,78 (2012)	B-OR0008
6 Testina C.-Complete H.(12+13+14+15+16)	B-XTC0.....
7 Molla - Spring	B-MOL0003
8 Vite fondello - End cap screw (M4x12) (x2)	B-VIT0004
9 Vite reg. liquido - Liqid setting screw	B-XVR0003
10 Rondella rame - Copper washer (14x10x1)	B-RON0004
11 Kit O-Rings (4+5+10+12+13+17+18)	B-XKI0003
12 O-Ring 13,1x2,62 (117)	B-OR0002
13 O-Ring 8,73x1,78 (108)	B-OR
14 Porta Jet (Nipplo) - Nozzle soached	B-XPJ0003
15 Jet (P - MX - M - V - Snorky)	B-XJE0.....
16 Ghiera porta Jet - Jet cap nut	B-GHI0002
17 O-Ring 1,78x1,78 (2007 90 SHORE A)	B-OR0001
18 O-Ring 4,47x1,78 2018) (x3)	B-OR0004



COD. B-XJE0303    B-XJE0302    B-XJE0703    B-XJE0201    B-XJE0103    B-XJE0101



"P" 12-60/90°



"P" 12-60°



SNORKY



"V" 1



"M" 4



"M" 2,5